

Gold Bottle

The Gold Bottle is used to verify the operational repeatability of your Mesa torque analyzer.

The Gold Bottle is constructed with high energy permanent magnets and can be pre-set at the factory to a customer specified torque value. Each Gold Bottle is labeled with its exact torque rating, serial number and repeats to an accuracy of +/- 0.2 inch pounds.

Since the cap torque of this bottle is the torque produced by the permanent magnets, the value will always be the same unless something has changed within the torque analyzer itself. The user is thus able to quickly check their analyzer without having to go through the calibration procedure.

The Gold Bottle is fitted with a specifically identified customer closure to match the customer's chuck.



Specifications:

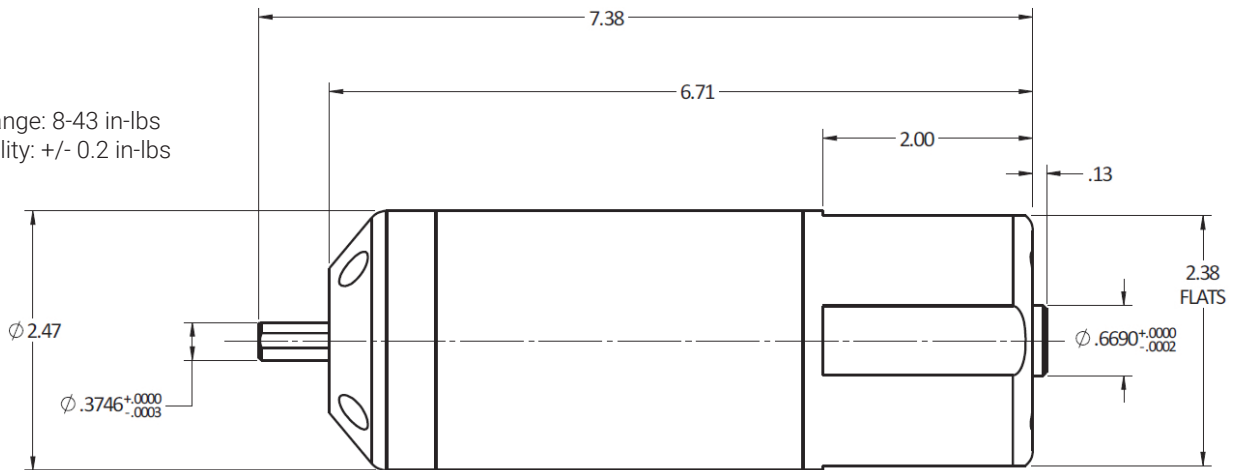
Small	
Torque Range:	.5-4 in-lbs
Repeatability:	+/- 0.2 in-lbs
Standard	
Torque Range:	3-16 in-lbs
Repeatability:	+/- 0.2 in-lbs
Large	
Torque Range:	8-43 in-lbs
Repeatability:	+/- 0.2 in-lbs



Dimensions (inches)

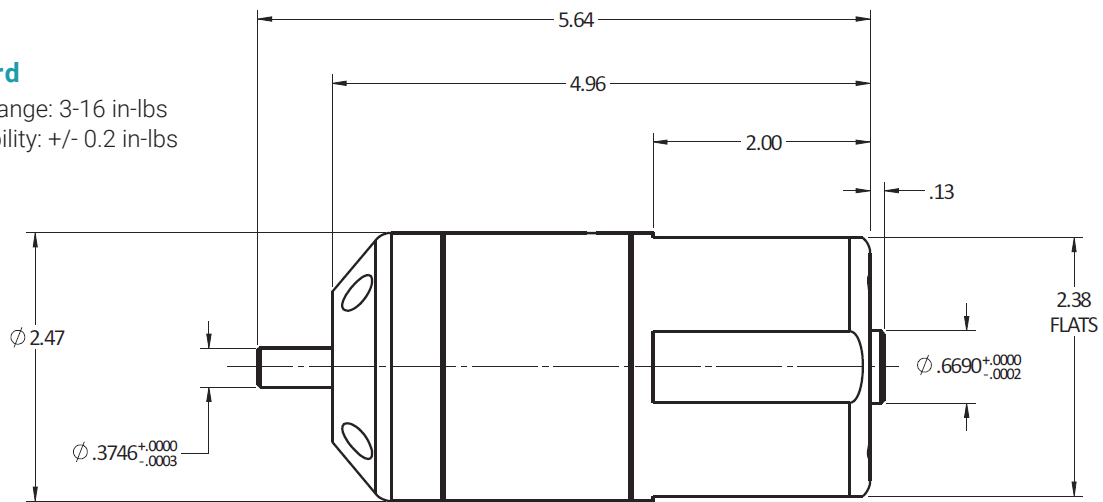
Large

Torque Range: 8-43 in-lbs
Repeatability: +/- 0.2 in-lbs



Standard

Torque Range: 3-16 in-lbs
Repeatability: +/- 0.2 in-lbs



Small

Torque Range: .5-4 in-lbs
Repeatability: +/- 0.2 in-lbs

